



NALLIK

Where Excellent Services Meets Demands

SOLUTIONS



CEO & CO FOUNDER
Killan.Jr Sikazwe

NALLIK Solutions (Pty) Ltd
Registration number
2021/807984/07
VAT - 4710 308 901
Info@nalliksolutions.com
sales@nalliksolutions.com

COMPANY PROFILE

We are wholly focused on driving client success

**NALLIK Solutions Zambia
Limited**

REG NO.: 120241009496

TPIN NO.: 20032482

Info.zm@nalliksolutions.com

Sales.Zm@nalliksolutions.com

(+260) 772238191



Industrial and services

INTRODUCTION	3
OUR MISSION	4
OUR VISION	5
WHERE & HOW WE'RE DIFFERENT	6
WHY CHOOSE US	7
INDUSTRIAL INSTRUMENTS	8
VALVES, FLANGES	9
STEEL PIPES	10
STRAUB-CLAMP, RING JOINT SYSTEM	11
UNDERGROUND MINING TOOLS	12
INDUSTRIAL MACHINERY	13
MESSAGE FROM OUR DIRECTOR	14
CONTACT DETAILS	15
LOCATION NALLIK SOLUTIONS	16



We are wholly focused on driving client success



Where Excellent Services Meets Demands

WHO WE ARE?

NALLIK Solutions (Pty) Ltd

Established 2019 | Registered 2021

Headquartered in Honeydew Industrial, West Rand, Johannesburg, Gauteng, South Africa.

At **NALLIK Solutions (PTY) Ltd**, we specialize in providing expert consulting services and top-tier equipment supplies to the mining and agricultural industries. Our strategic location and strong relationships with South Africa's largest stockiest companies enable us to offer a comprehensive range of products and solutions, including:

- Mining Equipment Supplies & Solutions,
- Power Generation Equipment, Medium and Low Voltage AC and DC,
- Industrial Control (Electronic and Components),
- High-Pressure Pumps,
- Underground Rock Drilling,
- High-Pressure Steel Pipes,
- Valves & Flanges,
- Straub-Clamp,
- Ring Joint System: Pipes, Fittings, and Couplings
- Bearings, and
- Hydraulic Hoses.



Our Service Philosophy

At **NALLIK Solutions (PTY) Ltd**, we are guided by a steadfast commitment to:

- **Honesty:** Transparency and integrity in all our interactions
- **Harmony:** Building strong, collaborative relationships with clients and partners
- **Win-Win:** Delivering mutually beneficial solutions that drive success

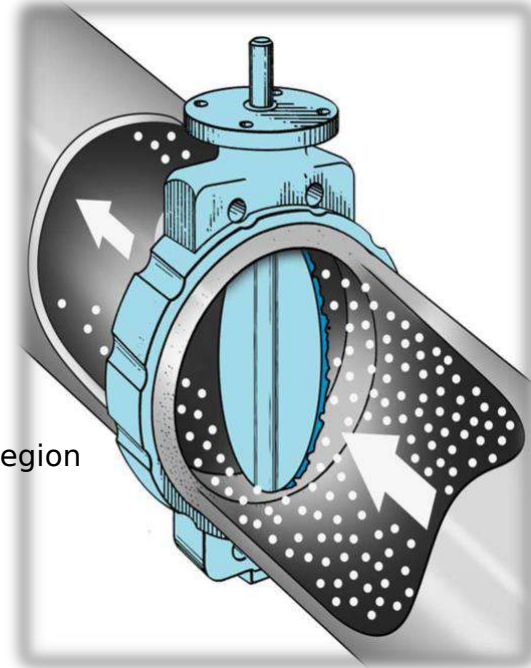
Customer-Centric Approach

We prioritize customer satisfaction as our core business philosophy. Your encouragement and support fuel our unwavering dedication to excellence.

Regional Expertise:

As a leading local and international consulting and distribution company, We have established a strong presence in:

- Southern African Development Community (**SADC**) region
- Democratic Republic of Congo
- United Republic of Tanzania
- Zambia
- Zimbabwe
- Republic of Senegal (West Africa)



Our extensive network and expertise enable us to provide tailored solutions that meet the unique needs of our clients across these regions

Our Promise

At **NALLIK Solutions (PTY) Ltd**, we promise to:

- Listen to your needs and challenges
- Offer expert guidance and support
- Deliver innovative solutions that drive results
- Foster long-term partnerships built on trust and mutual benefit



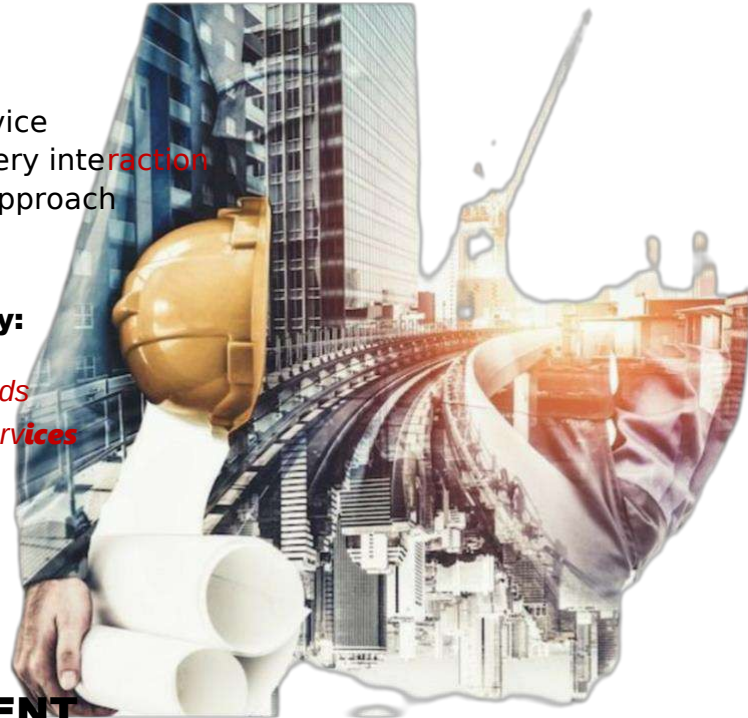
Our Mission

At **NALLIK Solutions (PTY) Ltd**, our mission is to deliver exceptional customer experiences with:

- Warmth: Personalized attention and care
- Friendliness: Approachable and responsive service
- Individual Pride: Expertise and ownership in every interaction
- Company Spirit: Collaborative and innovative approach

We are dedicated to driving client success by:

- Connecting customers with world-class service brands
- Providing cost-efficient, high-quality products and services
- Enhancing profitability through tailored solutions

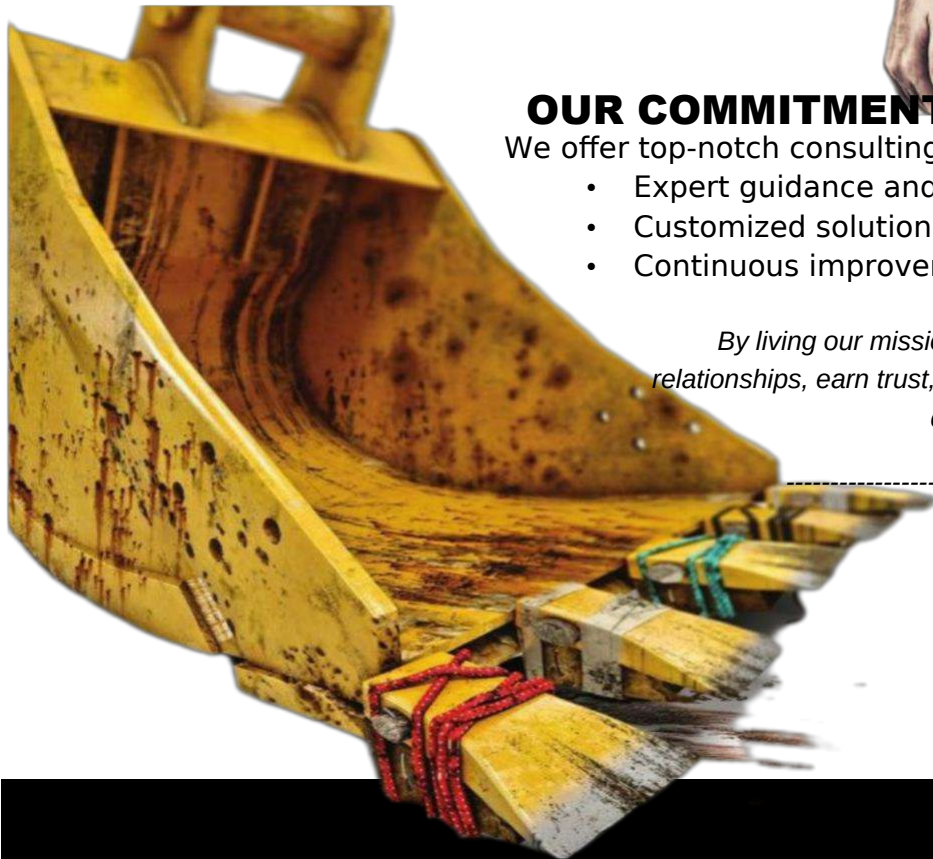


OUR COMMITMENT

We offer top-notch consulting services, ensuring:

- Expert guidance and support
- Customized solutions addressing unique needs
- Continuous improvement and innovation

By living our mission, we aim to build long-lasting relationships, earn trust, and make a positive impact on our clients' businesses.



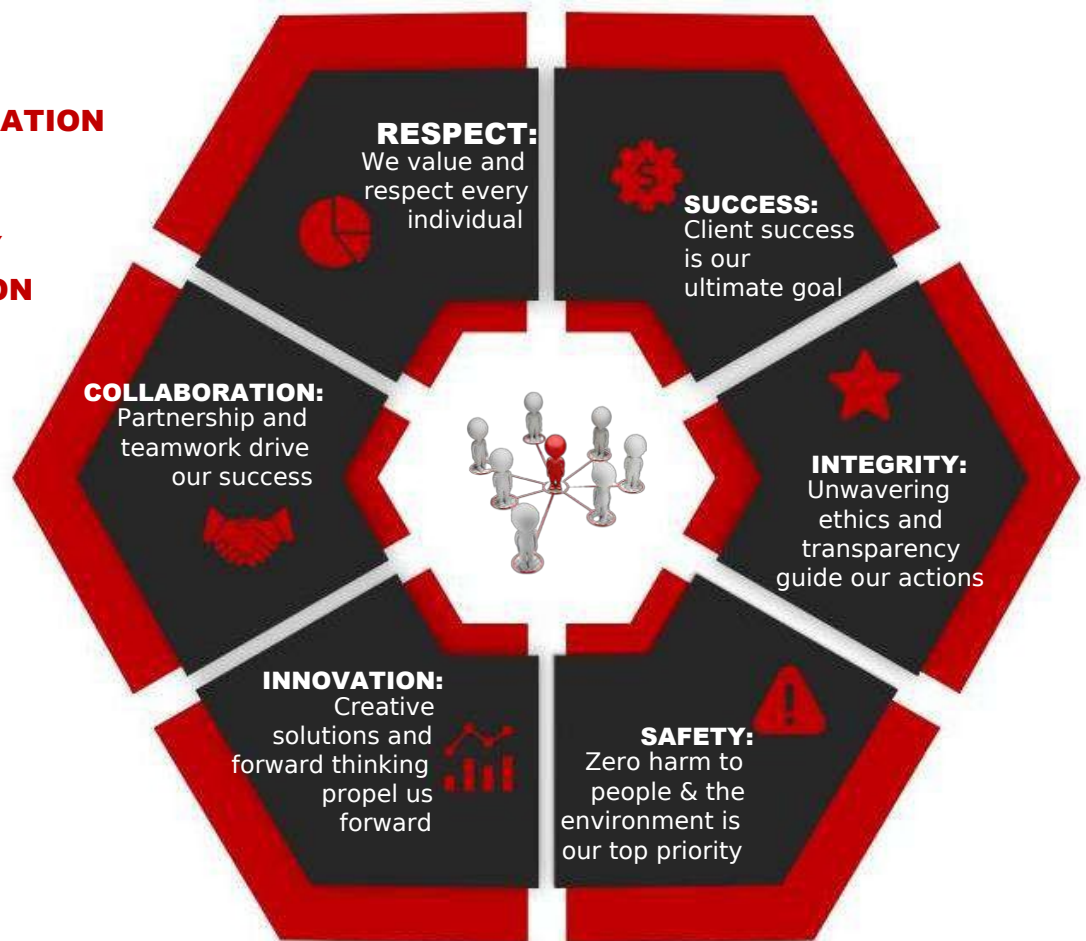
Our Vision

At **NALLIK Solutions (PTY) Ltd**, we strive to provide innovative solutions that foster growth and opportunities for businesses, communities, and individuals worldwide, while maintaining an eco-friendly environment. Our goal is to make a positive impact on a global scale, locally and internationally, by:

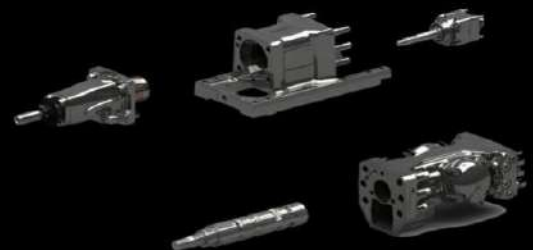
- **Empowering sustainable development**
- **Promoting inclusive growth**
- **Enhancing quality of life**
- **Protecting the environment**

Our Vision Is Built On Six Are Pillars

1. - **COLLABORATION**
2. - **SAFETY**
3. - **SUCCESS**
4. - **INTEGRITY**
5. - **INNOVATION**
6. - **RESPECT**



By living our vision, we aim to create a brighter future for all



Where & How We're Different!

At **NALLIK Solutions (PTY) LTD** we stand out from the crowd by:

- *Embracing Digital Technology:* Leveraging innovative solutions for efficient sourcing and consulting services
- *Industry Expertise:* Specializing in mining, agricultural, engineering, construction, and logistics industries
- *Unwavering Commitment to Quality:* Rigorous quality control standards ensure exceptional value for our clients
- *Extensive Product Range:* Offering both standard and specialized products to meet diverse needs
- *Prompt Breakdown Response:* Swift and reliable service to minimize downtime
- *Customized Solutions:* Sourcing standard and custom products tailored to clients' specifications
- *Sourcing Expertise:* If we don't have it, we'll find it - ensuring clients' needs are always met

Our unique blend of technology, industry expertise, and commitment to quality sets us apart, making us the go-to partner for clients seeking exceptional value and service.



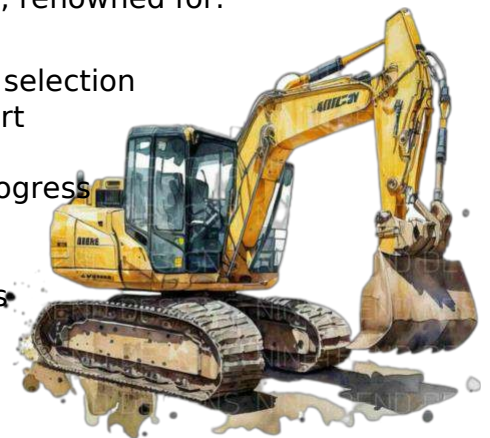
Unparalleled Solutions for Mining, Construction, and Beyond

At **NALLIK Solutions Pty Ltd**, we reign as industry leaders, renowned for:

- Exceptional Product Range: Superior quality and unparalleled selection
- Unmatched Customer Service: Personalized support and expert guidance
- Innovative Approach: Forward-thinking solutions that drive progress

Our commitment to excellence ensures:

- Reliable Delivery: Consistent and timely fulfilment of promises



Industrial & Mining Equipment Solutions
Customs Code: CU25348350

Info@nalliksolutions.com / Sales@nalliksolutions.com
Info.zm@nalliksolutions.com / Sales.zm@nalliksolutions.com

WHY CHOOSE **NALLIK Solutions**

We stand out for our:

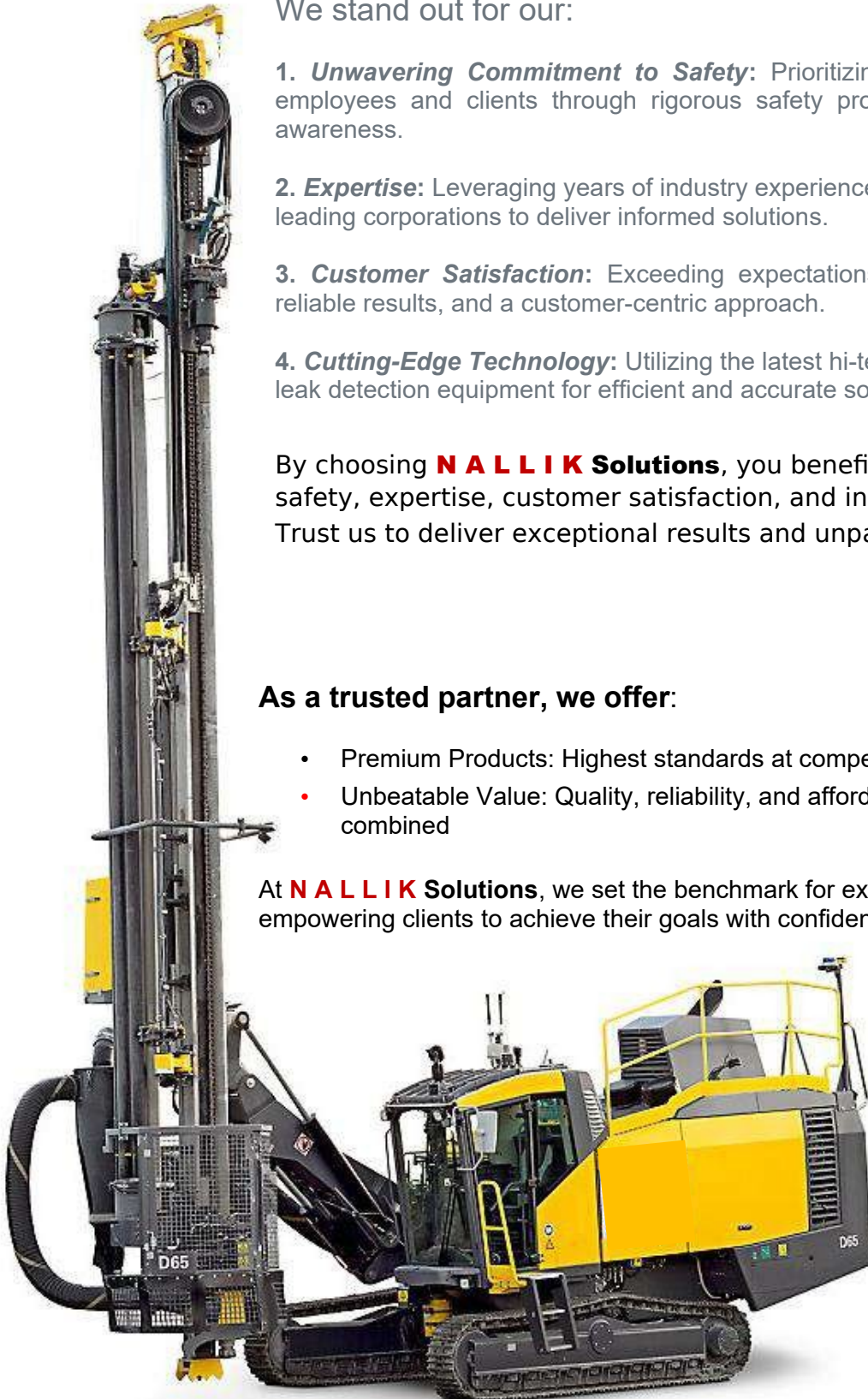
1. **Unwavering Commitment to Safety:** Prioritizing the well-being of our employees and clients through rigorous safety protocols and environmental awareness.
2. **Expertise:** Leveraging years of industry experience and partnerships with leading corporations to deliver informed solutions.
3. **Customer Satisfaction:** Exceeding expectations with top-quality service, reliable results, and a customer-centric approach.
4. **Cutting-Edge Technology:** Utilizing the latest hi-tech digital and acoustic leak detection equipment for efficient and accurate solutions.

By choosing **NALLIK Solutions**, you benefit from our dedication to safety, expertise, customer satisfaction, and innovative technology. Trust us to deliver exceptional results and unparalleled service.

As a trusted partner, we offer:

- Premium Products: Highest standards at competitive rates
- Unbeatable Value: Quality, reliability, and affordability combined

At **NALLIK Solutions**, we set the benchmark for excellence, empowering clients to achieve their goals with confidence.





NALLIK Solutions offers a comprehensive range of industrial instruments and technology solutions, including:

Our Products

1. Industrial Instruments:

- Industrial switches and sensors
- Field instruments for automation process control
- Measurement and monitoring instruments for flow, level, pressure, temperature, and liquid analysis

2. Mining Industry Solutions:

- Technology for enhanced mining operations
- Solutions for hydraulic units and pump position sensors
- Station reliability and performance optimization

3. Field Instrumentation:

- Measurement and control instruments for various automation processes
- System components and data managers for data visualization and recording
- Software tools for seamless integration into diverse automation systems



Our Products

Industrial Control and Components

- 1. Pendant Controls:**
 - Handheld or wearable devices for operating heavy machinery and equipment
- 2. Electric Motors:**
 - AC (Alternating Current) Motors
 - DC (Direct Current) Motors
- 3. Circuit Protection:**
 - Circuit Breakers
- 4. Contactors:**
 - Vdc (Voltage Direct Current) Contactors
 - Vac (Voltage Alternating Current) Contactors

Additional components that might be of interest:

- 1. Relays**
- 2. Timers**
- 3. Sensors**
- 4. Actuators**
- 5. Motor Starters**
- 6. Soft Starters**
- 7. Variable Frequency Drives (VFDs)**



Valves

Our Products

1. Valve Types:

- Gate Valves
- Globe Valves
- Check Valves (flanged and wafer types)
- Diaphragm Valves
- Ball Valves
- Relief Valves
- Needle Valves
- And many more

2. Materials:

- Cast Iron
- Cast Steel
- Forged Steel
- Stainless Steel

Our comprehensive valve portfolio ensures you find the perfect fit for your industrial applications, with durable materials and precise engineering for optimal performance.

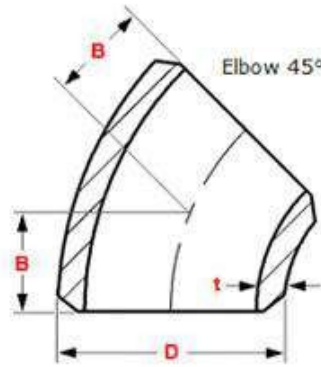


Pipe Fittings and Steel Products

NALLIK Solutions offers an extensive range of high-quality steel pipe fittings, flanges, and various pipes at competitive prices, backed by global service. Our product portfolio includes:

Our Products

- 1. Steel Pipe Fittings:**
 - Elbows (ASTM A234 GRADE WPB SEAMLESS 250 and more)
 - Flanges (Slip On, Welding Neck, Blind, and many more)
- 2. Pipes:**
 - Round/Square/Rectangular Pipes
 - Stainless Steel Pipes (304, 316L, 201, and more)
 - Mild Steel Round Tubes
 - Stainless Steel Round Tubes and Hollow Bars
- 3. Steel Products:**
 - Steel Bars
 - Steel Strips/Coils/Plates
 - Wear-Resistant Steel
 - Tin Plates
 - Steel Profiles
 - Wire



Our Products

4. Stainless Steel Pipes:

- 304 Stainless Steel Welded Pipe
- Polish 304 Stainless Steel Square Tube
- 304, 316L Sanitary Stainless Steel Pipe
- 316L/316Ti Stainless Steel Welded Pipe

5. Standards:

- ASTM
- AISI
- DIN
- EN
- GB
- JIS

Our commitment to quality and global service ensures you receive the best products for your needs.



Straub Products

NALLIK Solutions offers a comprehensive range of Straub products, including:

1. Straub-Clamp System:

- Pipes, fittings, and couplings
- Repair clamps for various pipe materials and diameters

2. Repair and Coupling Solutions:

- Straub-Rep-Flex: all-round repair coupling
- Straub-Square-Flex: for square pipes
- Straub-Step-Flex: connects different pipe diameters

3. Flexible and Versatile Solutions:

- Straub-Open-Flex: flexible and adaptable
- Straub-Flex: axial flexibility series

4. PE and Metal Pipe Connections:

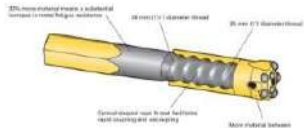
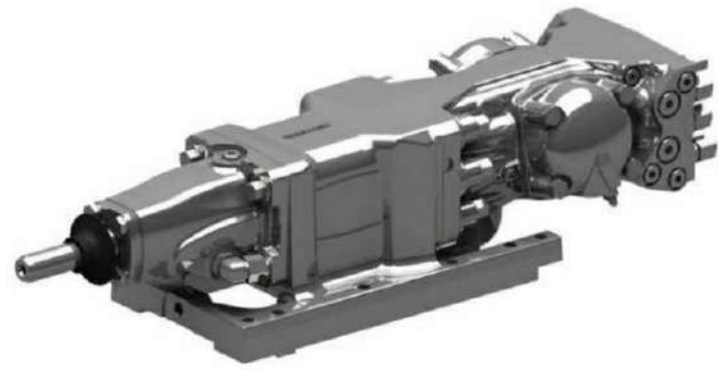
- Straub-Plast-Pro: PE complete kit
- Straub-Metal-Grip: connects metal pipes
- Straub-Grip: easy and economic connections
- Straub-Eco-Grip: cost-effective solutions

5. Additional Products:

- And many more innovative solutions

Our extensive Straub product range ensures you find the perfect fit for your piping needs, with a focus on flexibility, versatility, and ease of use.

Our Products



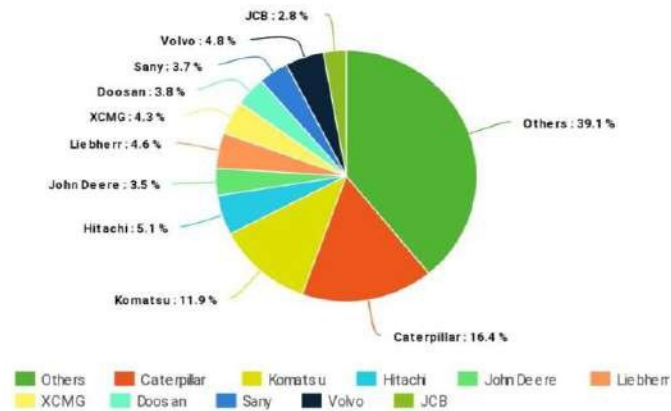
Underground Mining Tools

NALLIK Solutions offers a comprehensive range of high-precision underground mining tools for reliable performance and cost efficiency. Our products include:

Our Products

- 1. Drill Rods:**
 - Manufactured from premium, high-strength alloy steel
 - Available in hexagonal and round configurations
 - Designed for straighter holes, less deviation, and longer service life
- 2. Hydraulic Rock Drill Machinery:**
 - RDX5 Hydraulic Rock Drill
- 3. Drilling Accessories:**
 - Shank adapters
 - Plug hole rods
 - Drill bits
 - Tapered rods
 - Speed rods
 - Couplings
 - And many more

Our underground mining tools are designed to enhance drilling accuracy, reduce costs, and improve overall mining efficiency.



Heavy Equipment Solutions

Consult with us for all your heavy equipment needs. As leading distributors in South Africa, we offer:

Our Products

1. New and Used Machines:

- Earthmoving equipment
- Demolition equipment
- Mining equipment
- Construction equipment
- Agricultural equipment

2. Heavy Machinery Range:

- Bulldozers
- Excavators
- Graders
- Loaders
- Rollers
- Backhoes
- Dozers

3. Underground Mining Machinery:

- Specialized equipment

Our expertise and extensive network ensure you find the right equipment for your needs, whether new or used. Trust us to help you optimize your operations.



Sustainability

At **NALLIK Solutions**, we acknowledge our responsibility to contribute to a higher level of living by:

1. *Promoting Equal Opportunities*: Empowering individuals and communities through inclusive practices.
2. *Supporting Local Businesses*: Collaborating with other businesses to drive long-term community upliftment and individual growth.
3. *Fostering Entrepreneurship*: Creating opportunities for individuals to become job creators and stimulate economic development.

Welcome Message From Our Director

*"Welcome to **NALLIK Solutions**, where we harness the power of business to inspire and implement solutions that connect people and communities to the world's most respected service brands. Our mission is to bridge the gap between suppliers and clients, providing access to sustainable services and products that drive positive impact."*

Killan Louis.jr Sikazwe

Director



Thank you for choosing **NALLIK Solutions**.
We look forward to serving you

NALLIK Solutions (Pty) Limited

Our team of experts is here to help. If you have any questions, need guidance, or require support, please don't hesitate to reach out. Contact us today, and we'll be in touch shortly to address your enquiry.

Should you need assistance or need to enquire on the status of your inquiring, contact us on.

Info@nalliksolutions.com

Sales@nalliksolutions.com

(+27) 78 665 6361 (WhatsApp)

(+27) 64 457 2655

Operating hours:

Monday – Friday

08h00 – 17h00

Saturday

08h00 – 15h00

BANK DETAILS

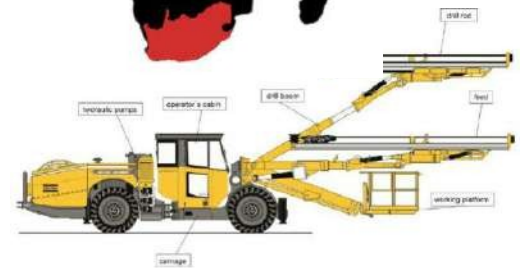
NAME: **FIRSTRAND BANK (FNB)**
ACOUN HOLDER: **NALLIK Solutions (Pty) Ltd**
A/C No: 62911153443
BRANCH CODE: 250655
BIC Code (Swift): FIRNZAJJ



Gauteng, South Africa



NALLIK SOLUTIONS
GLOBAL OFFICE



NALLIK SOLUTIONS HEADQUARTERED

CONTACT DETAILS & ADDRESSES

(+27) 78 665 6361/ 644 57 2655

INFO@NALLIKSOLUTIONS.COM

SALES@NALLIKSOLUTIONS.COM

**SOUTH AFRICA, GAUTENG JOHANNESBURG,
ROODEPOORT, HONEYDEW RIDGE, 217**

CONNECT WITH US ON SOCIAL MEDIA



SCAN QR CODE

ZAMBIA BRANCH

REGISTRATION NUMBER: 120241009496

TPIN NUMBER: 2003248272

**ADDRESS:
G1165 NDEKE VILLAGE
KITWE, COPPERBELT
ZAMBIA**

**CONTACT INFORMATION:
INFO.ZM@NALLIKSOLUTIONS.COM (GENERAL
INQUIRIES)
SALES.ZM@NALLIKSOLUTIONS.COM (SALES INQUIRIES)
PHONE: (+260) 7722 38191**